

TOOLS. PLATE 16

ANVIL TOOLS

PLATE 16 illustrates the tools which have previously been mentioned in use.

In FIG. 1 will be seen a saddle generally used for such forgings as double eyes.

FIG. 2 shows the method of bending a bar at right angles by using a bending link.

FIG. 3 shows the method of using the cutting tool.

FIG. 4 shows the fork tool in use.

FIG. 5 shows the bolt swage in use.

FIG. 6 illustrates a T-piece between top and bottom T-swages.

FIG. 7 shows one method of using a V-swage with a fuller to shape square corners.

FIG. 8 illustrates a method of welding a link by using a link tool.

# ANVIL TOOLS.

PLATE 16

FIG 1

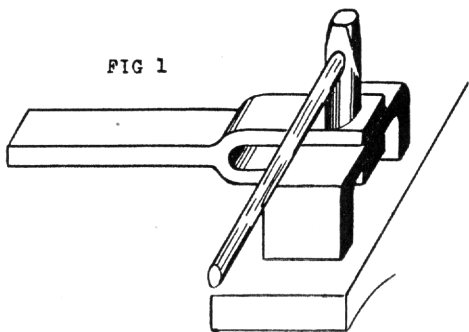


FIG 2

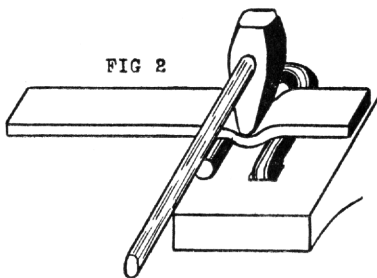


FIG 3

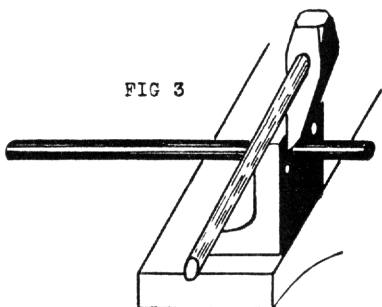


FIG 4

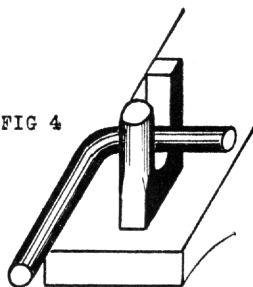


FIG 5

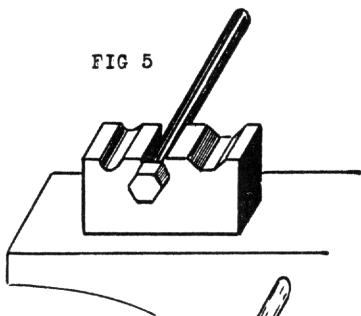


FIG 6

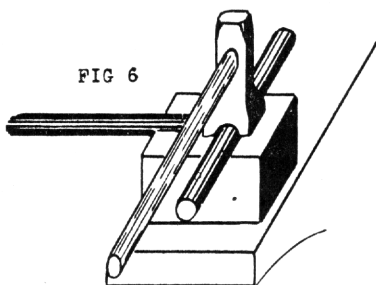


FIG 7

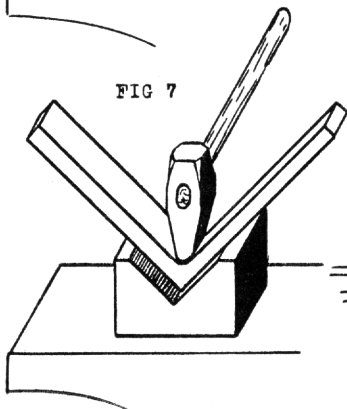


FIG 8

