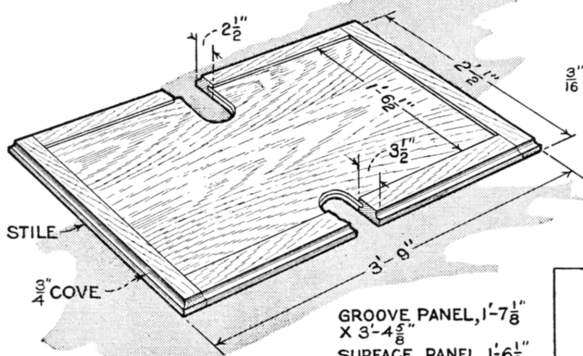
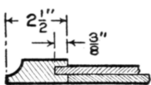
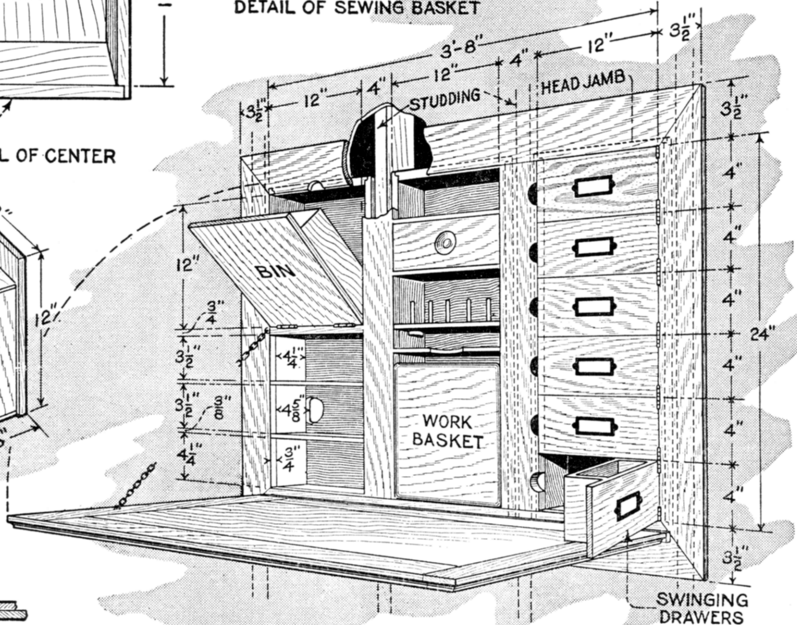
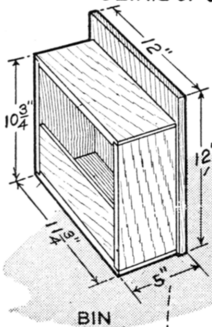


DETAIL OF PLASTER OPENING

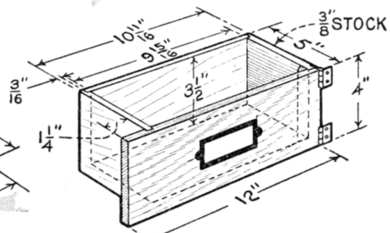
DETAIL OF SEWING BASKET

DETAIL OF CENTER



DETAIL OF DOOR

GROOVE PANEL, 1'-7 1/8"  
 X 3'-4 3/8"  
 SURFACE PANEL, 1'-6 1/2"  
 X 3'-4"



DETAIL OF SWINGING DRAWER

Details of Construction of the Built-In Sewing Cabinet; the Bin May Be Made Either as Shown or with a Full Back and a Hinged Lid on Top